

## DESCRIPTION

- ADA compliant operation
- Metal and brass construction with Chrome plated or Classic Brushed Nickel (CBN) finish
- Inlets and outlets on same plane
- Supplied with vandal resistant screws


## OPERATION

- Lever style handle with function indicators on the escutcheon
- Detents at each flow position
- Rotary 360° handle operation
- Valve operates 3 distinct functions but can be plumbed for 2 distinct functions

## CARTRIDGE

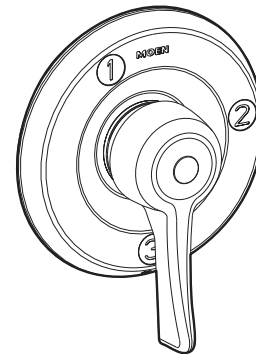
- Ceramic disk cartridge
- Pair with 3360, 3 function transfer rough-in valve

## STANDARDS

- Third party certified to meet ASME A112.18/CSA B125.1 and all applicable requirements therein
- **ADA**  for lever handle

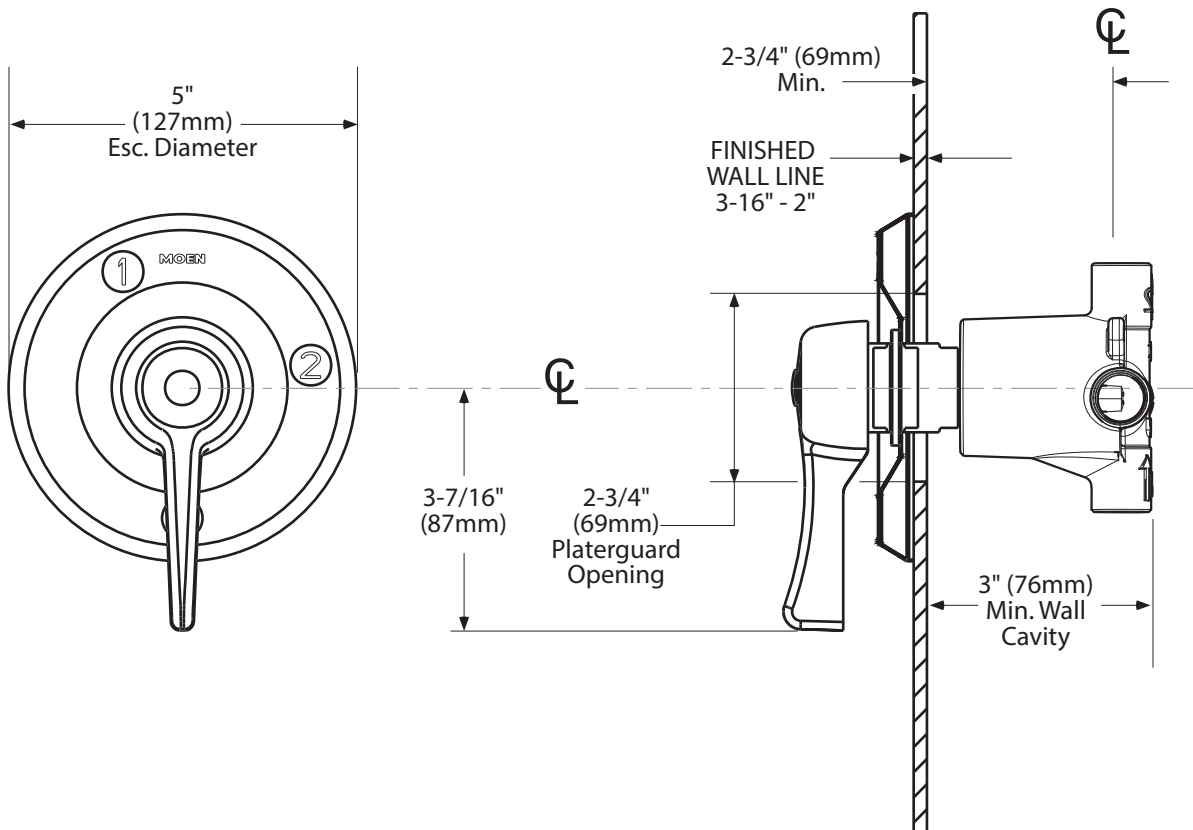
## WARRANTY

- Warranted for 5 years against material or manufacturing defects



**Three-Function Commercial Transfer Valve Trim Kit**

**Model:** T8360  
T8360CBN



**NOTE:** This valve is not intended to be used as a shut-off valve. To prevent the potential of cross flow, check valves must be integral to the supply valve or installed in both hot and cold water supply lines.

## CRITICAL DIMENSIONS

(DO NOT SCALE)

**FOR MORE INFORMATION CALL: 1-800-BUY-MOEN**

**www.moen.com**